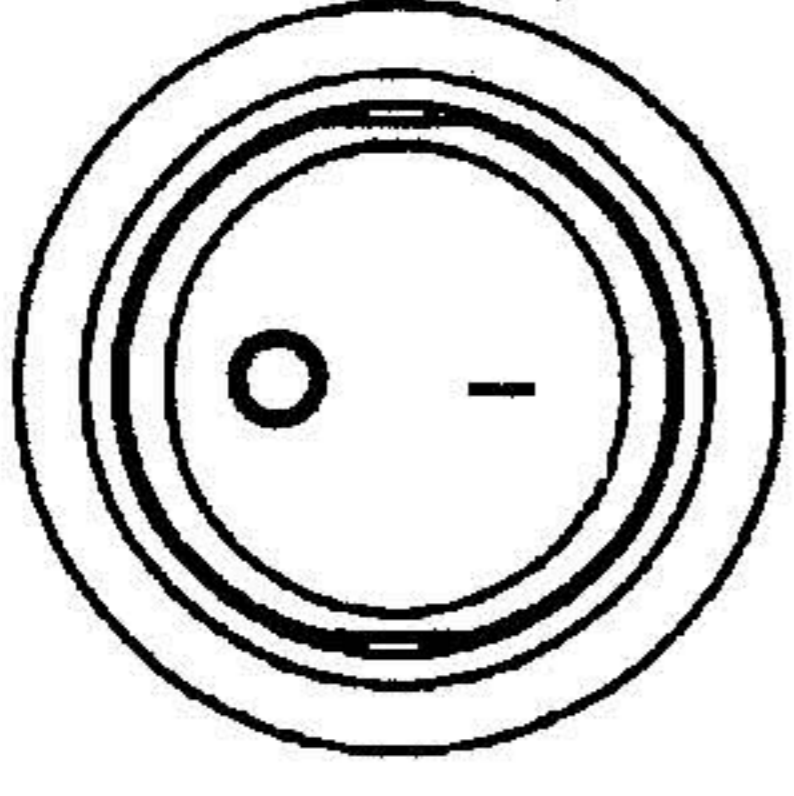
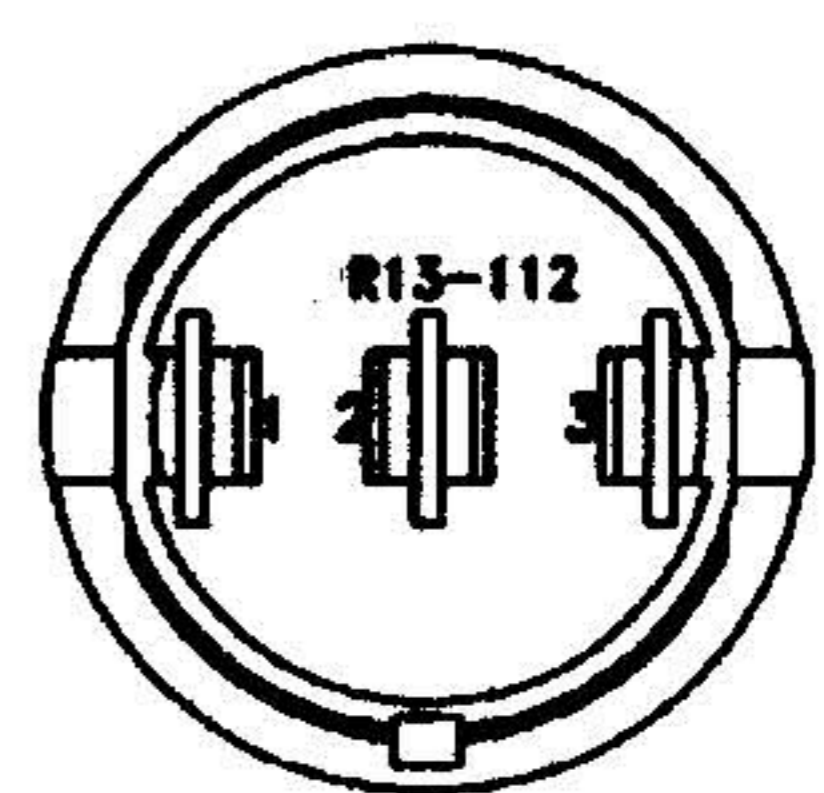
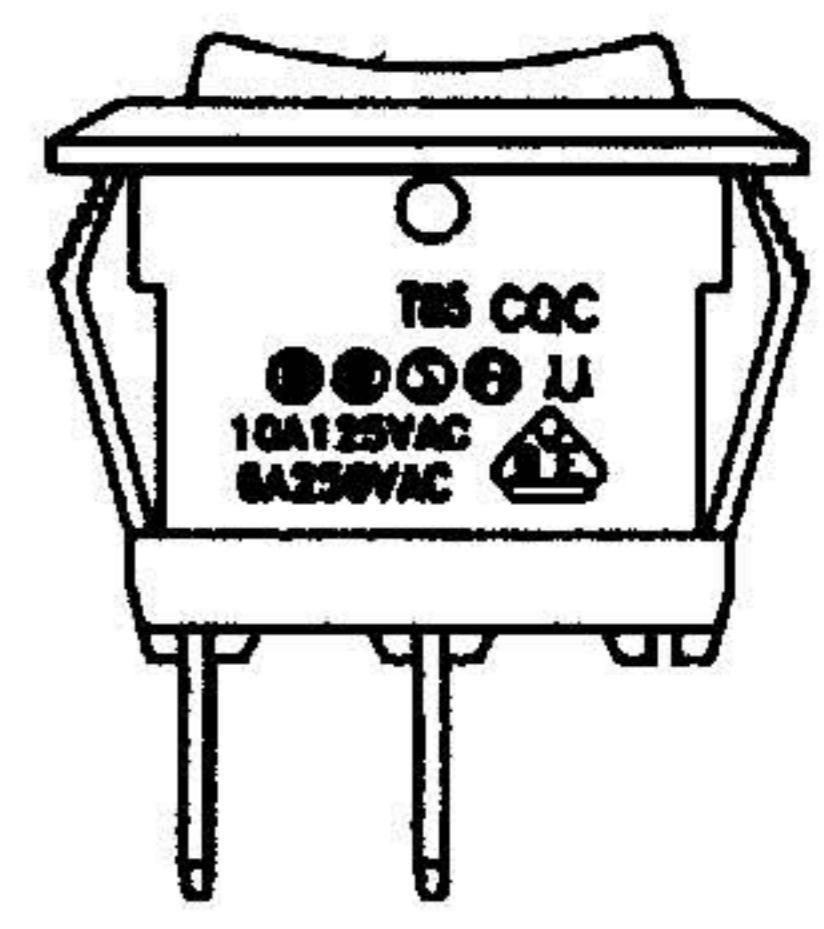
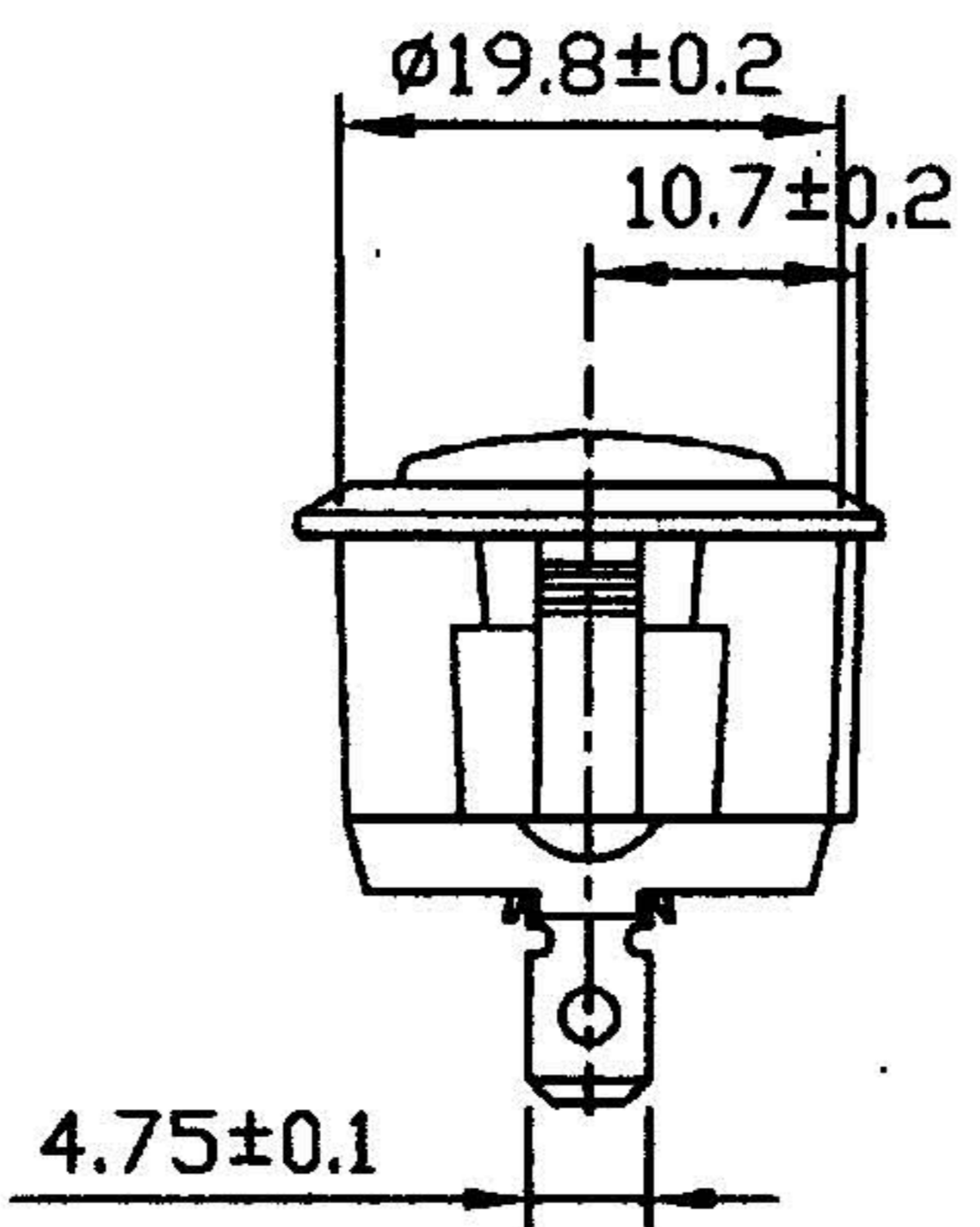
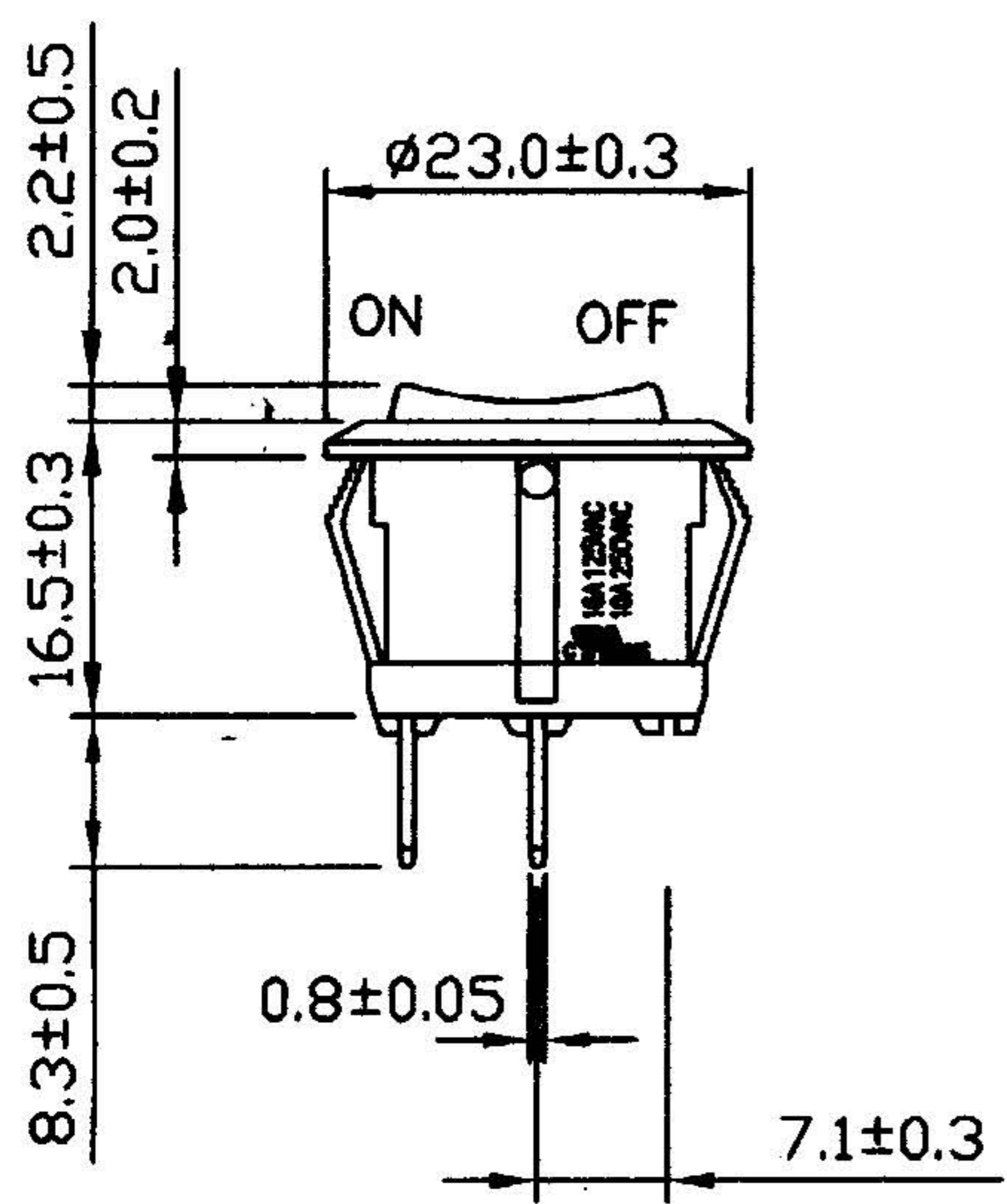
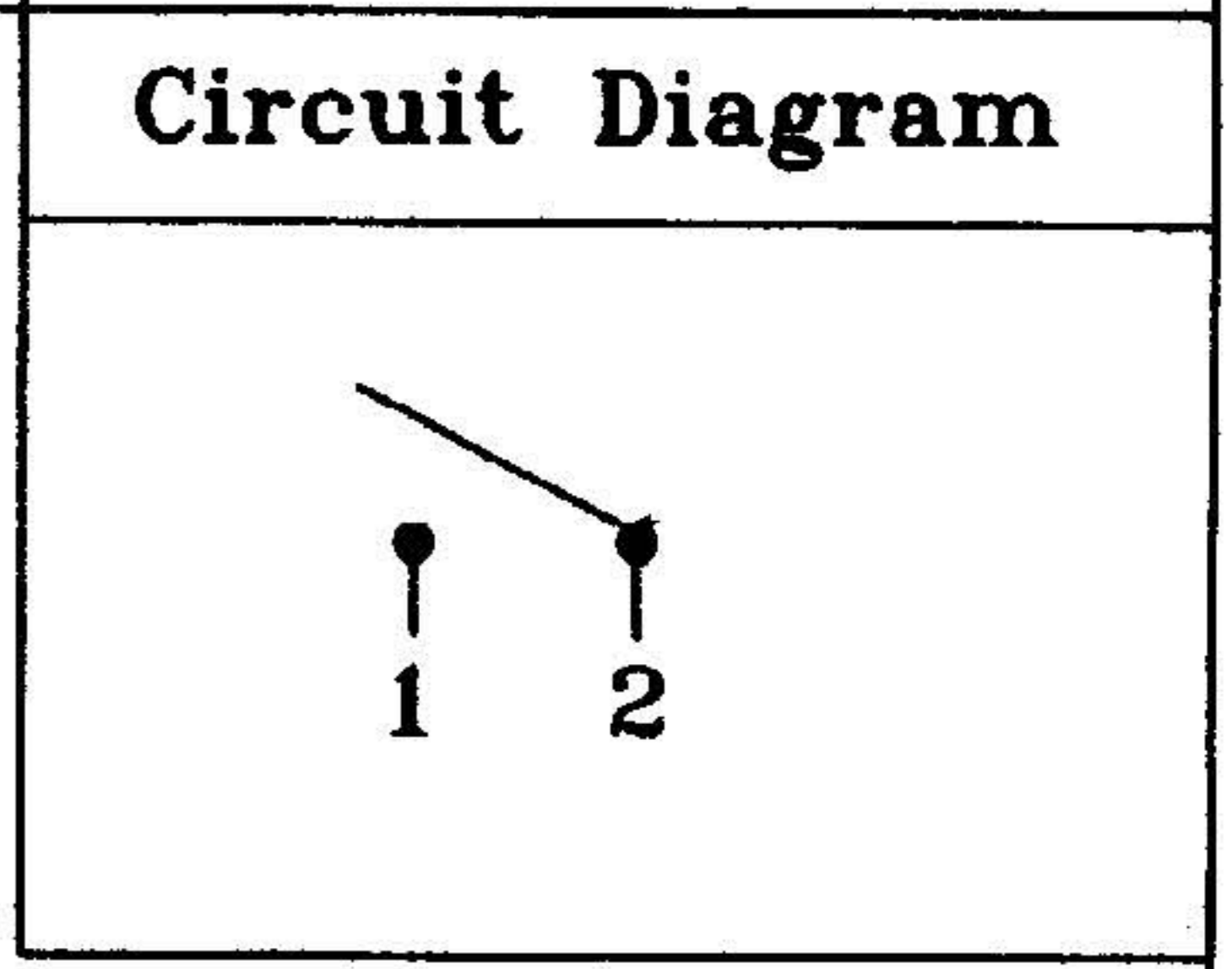


Rating	10A 125V 6A 250V AC CQC 16A 125VAC ,10A 250VAC US	<div style="display: flex; justify-content: space-around;"> <div style="text-align: center;"> <p>Thickness: 2.0~3.0</p> </div> <div style="text-align: center;"> <p>Thickness: 0.7~3.0</p> </div> </div>	
Contact Resistance	50m ohm Max.		
Insulation Resistance	DC 500V 100M ohm Min.		
Voltage Breakdown	AC 1500V 1 minute		
Operation Temperature	-20°C~85°C		
Circuit	3P SPDT ON-OFF		



MATERIAL:
 Frame: Nylon 66,BK
 Actuator: PC ,Ice Blue
 Printed:



△		Date	Name	Descriptions	
Drawing	Check	Approval	SCI No.	Model Name	Rocker Switch
邱志钢	李奔	姜曙光	Customer No.	Model No.	R13-112A
07.1/19	07.1/19	07.1/19	Unit	Startwin Electric Appliance (Shenzhen) CO., Ltd.	