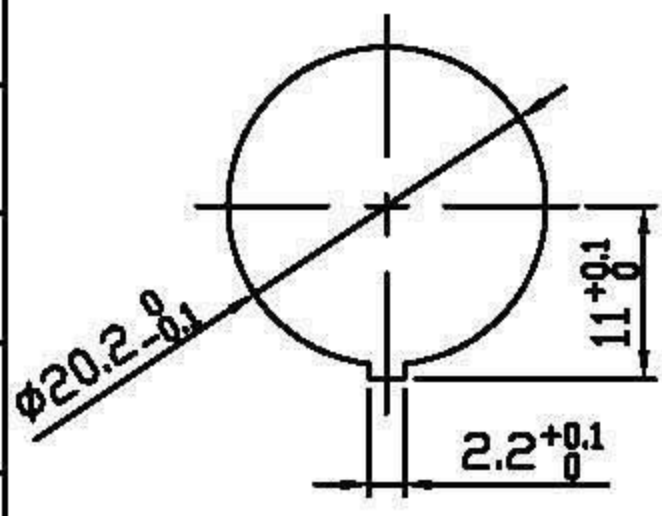
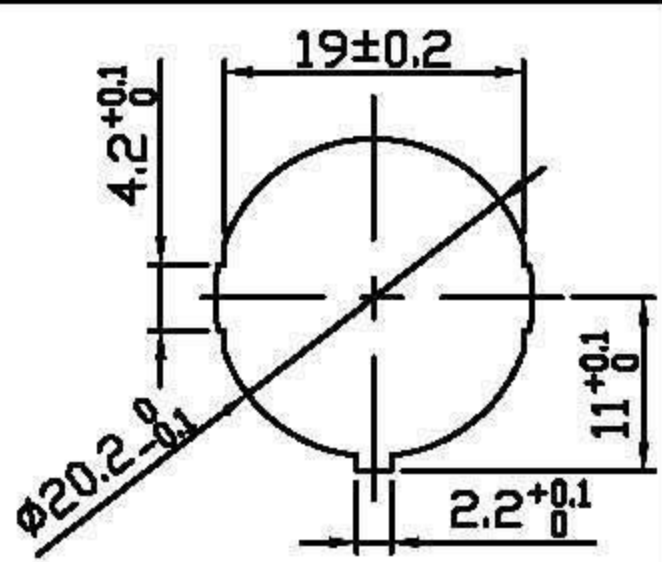
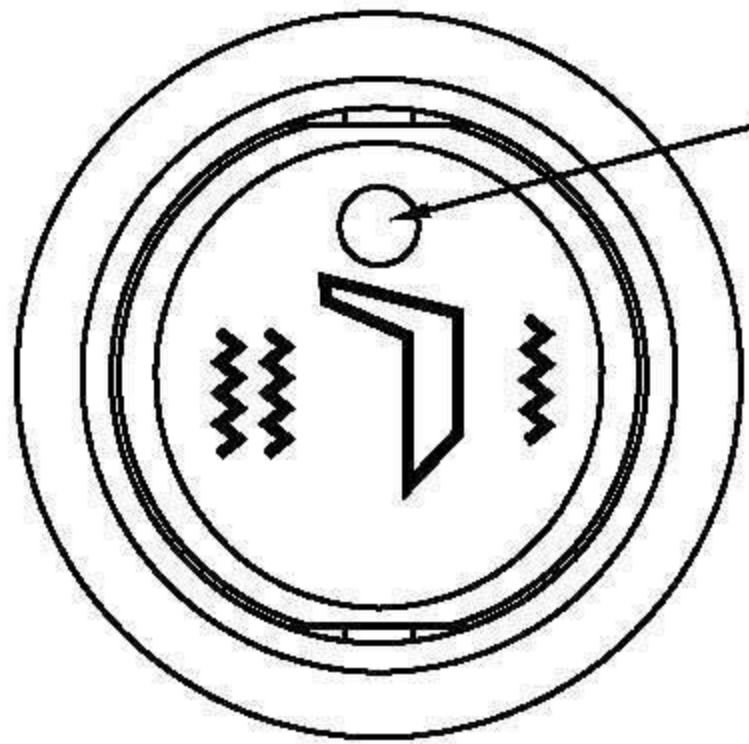


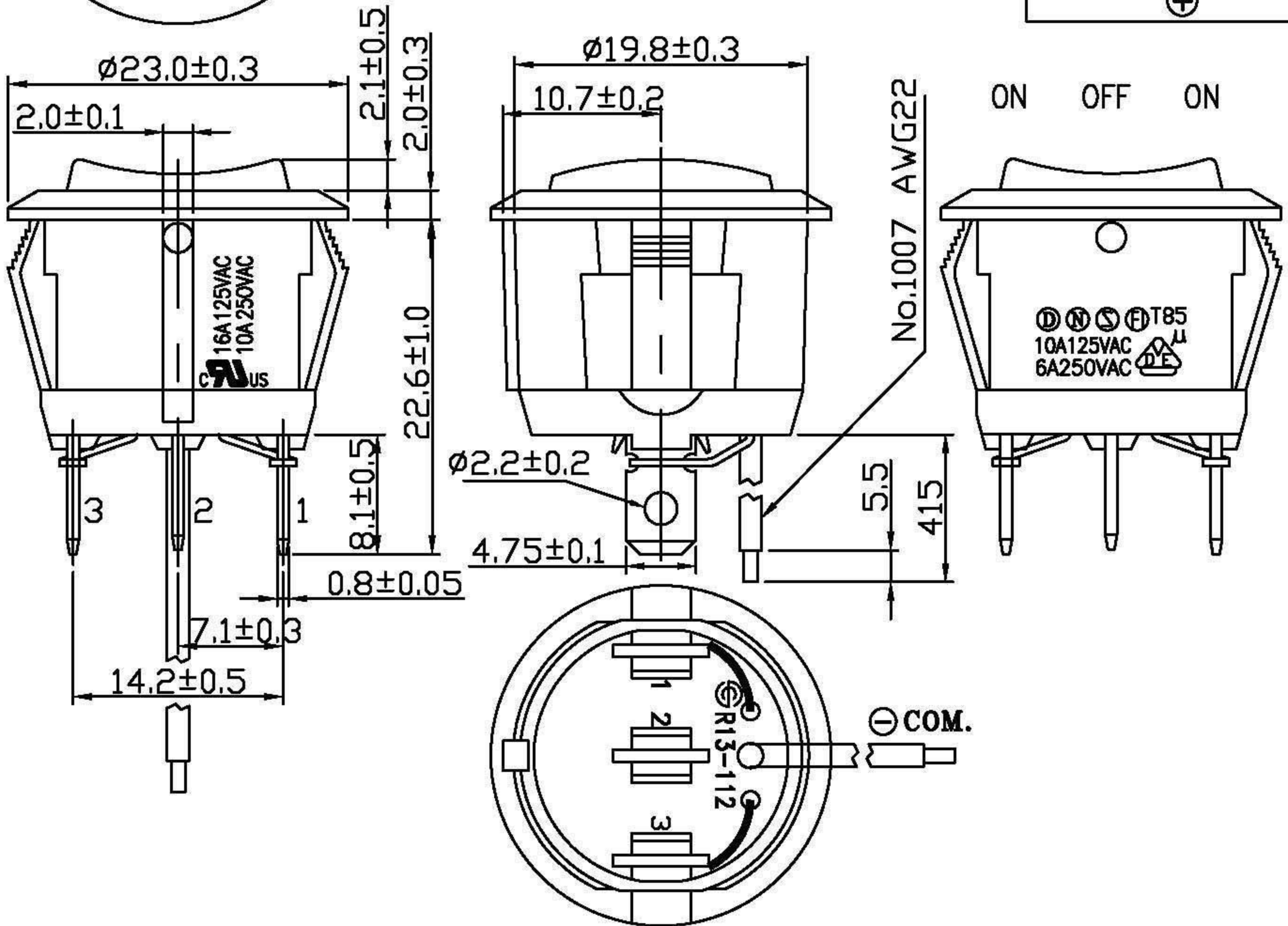
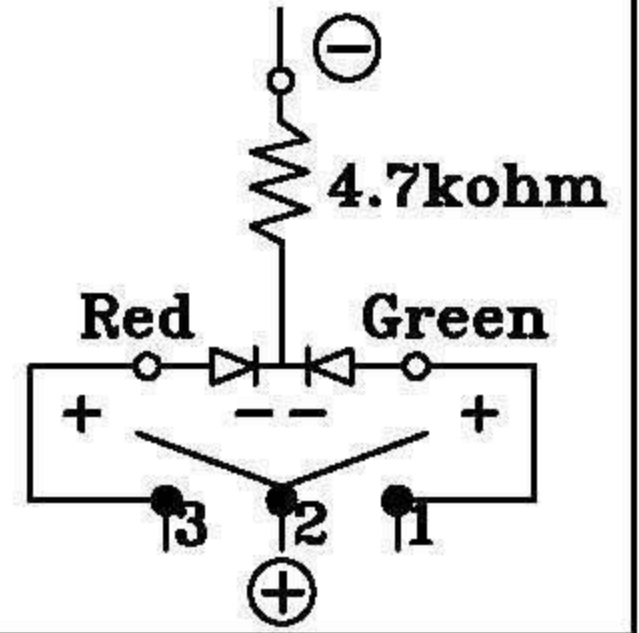
Rating	20A 12VDC	Mounting Hole	
Contact R	50m ohm Max.		
Insulation R	DC 500V 100M ohm Min.		
Dielectric Strength	AC 1500V 1 minute		
Operation Temperature	-20°C~85°C		
Circuit	3P SPDT ON-OFF-ON		



Clear Len

Material:
 Frame: Black, Nylon-66
 Actuator: Black, Nylon-66
 Printed: White, hot stamping

Circuit Diagram



						△
						△
Date	Name	Descriptions			NO	
Drawing	Check	Approval	SCI No.	Model Name	ROCKER SWITCH	
邱志钢	李奔	姜曙光	Customer No.	Model No.	R13-112DL	
07/07/'06	07/07/'06	07/07/'06	Unit	mm	Startwin Electric Appliance (Shenzhen) CO., Ltd.	